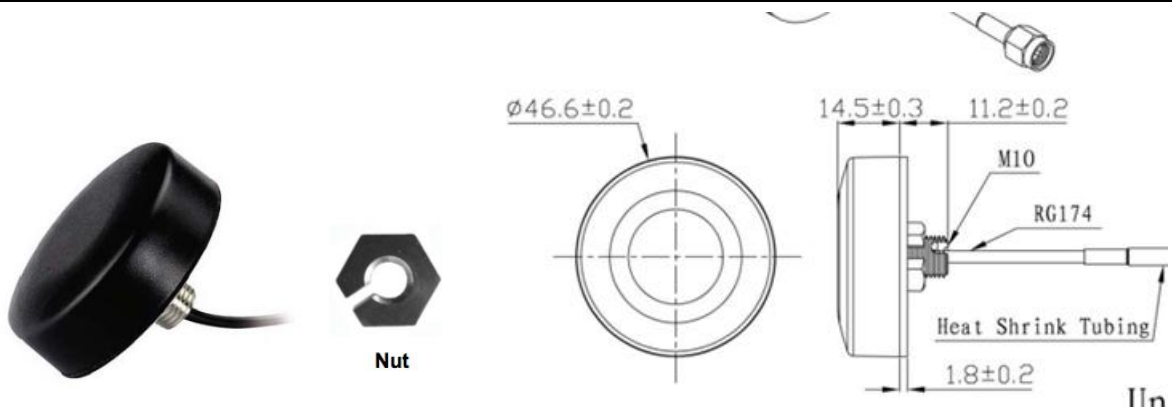




GLOBAL EAST ASIA TECHNOLOGY CO., LIMITED

<https://www.global-antenna.com>

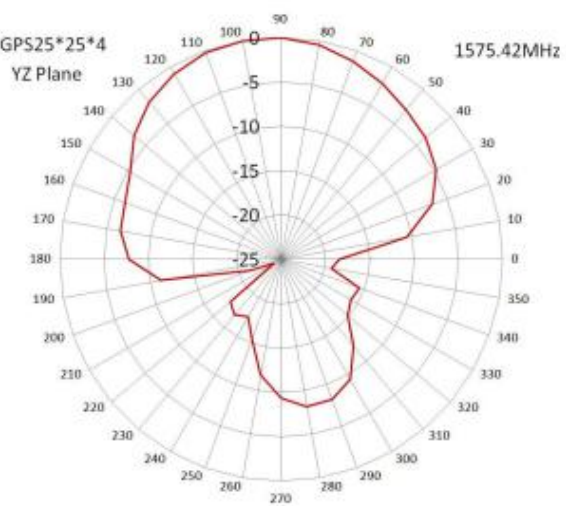
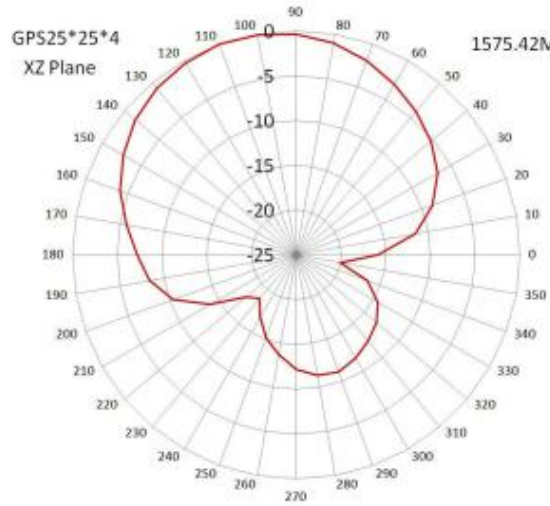
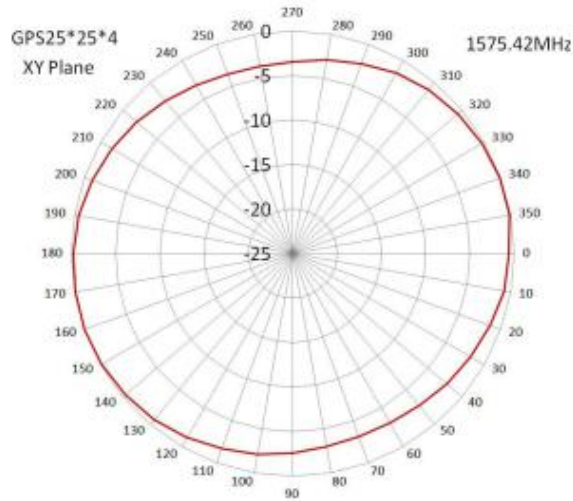


Electrical Index		
Product Name	GPSGlonass+LTE Antenna	
Product Number	GL003C	
Frequency Range-MHz	1575.42-1610	806-960/1710-2690
Band Width-MHz	CF±5	166/460
V.S.W.R	≤1.5	≤2.0
Gain-dBi	2.0dBic(Zenith)	2.0
LNA Gain-dBi	28	--
Polarization	RHCP	Linear
Supply Voltage	2.2-5V DC	
Current Consumption	5-15mA	
Input Impedance-Ω	50	
Mechanical Index		
Connector	2*SMA male	
Antenna Dimension-mm	Φ46.6*14.5	
Installation way	Screw	
Ingress Protection	IP65-IP67(exclude cable outlet)	
Vibration	10 to 55MHz with 1.5mm amplitude 2 hours	
Relative Humidity	Up to 95%	
Environmentally Friendly	ROHS Compliant	
Temperature-℃	-40-+85	



Radiation pattern

GPS Antenna





LTE Antenna

