

GLOBAL EAST ASIA TECHNOLOGY CO.,LTD

www.global-antenna.com

GL-DY003F

GPS/Glonass Antenna with Fakra H connector, RG174, 30cm

1, Feature

High stability, high linearity, high consistency

Low noise figure

High gain and high out-of-band interference suppression

2, Application

Car Navigation、Logistics positioning and so on

3, Working Condition:

Temperature: -40°C --- +85°C

Humidity: 10 to 95%RH

4, Mechanical Index

Item	Index
Antenna Dimension	φ46×15MM
Material	ABS
Weight	40.5±5g
Connector	FAKRA H straight female
Color	Black
Cable	RG-174, Attenuation :129 dB/Km
Cable length	300±50MM

5, Electrical Index

Under condition: Temperature 25±15°C、Humidity 65±025RH、Air pressure 960±100HP)

Passive Dielectric antenna

Item	Index
Frequency	1575.42/1612.4MHZ
Bandwidth	40MHZ min(10dB return loss)
Top Gain	-2dBic tye (Contact Area 30*30MM)
Gain Elevation 10° :	-5dBic tye (contact area 30*30MM)
zPolarization	R.H.C.H
Axial Ratio	3.0dB typ(contact area 29*29MM)

GLOBAL EAST ASIA TECHNOLOGY CO.,LTD

www.global-antenna.com

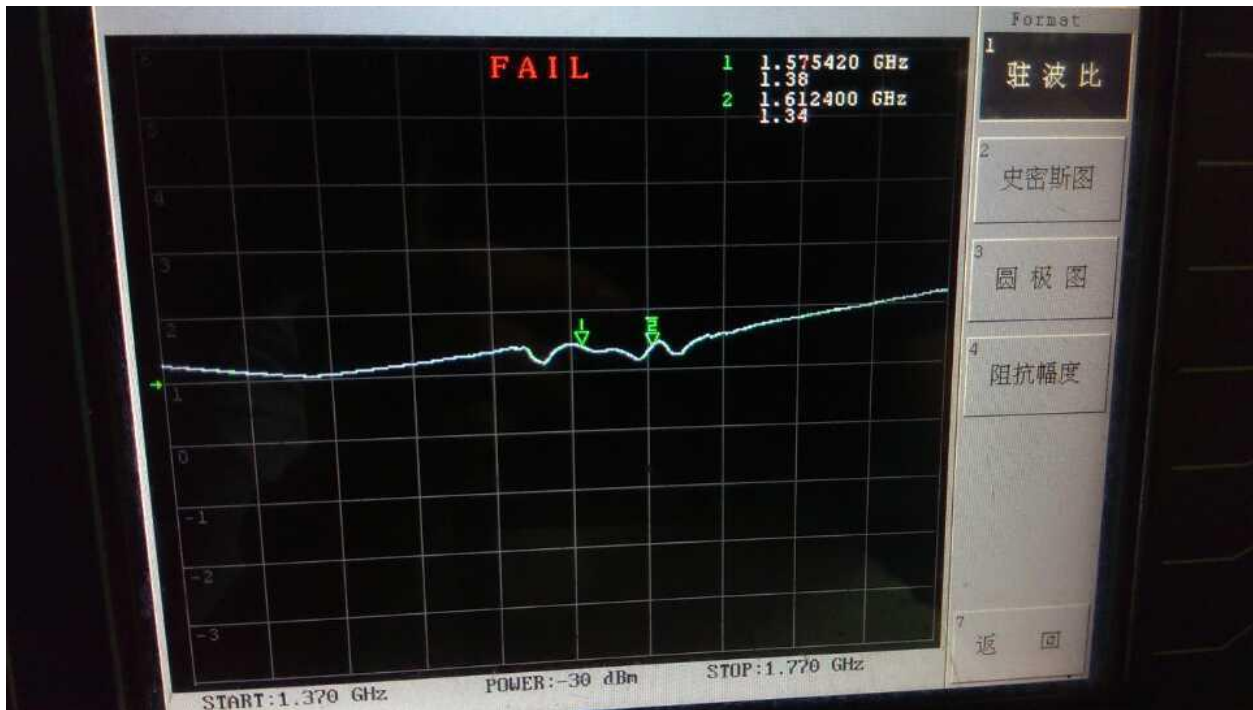
Antenna Amplifier

Item	Index
Center Frequency:	1575.42/1612.4MHZ
Gain	28dB±3 dB typ (DC=3V)
Noise Figure	1.20 dB max (DC=3V)
DC Voltage	2.75-5V
DC Current	9±2mA (DC=3±0.5V)
V.S.W.R	1.5 max
Out-of-band interference suppression	35dB Min. (800MHz-950MHz 1800MHz-1990MHz)

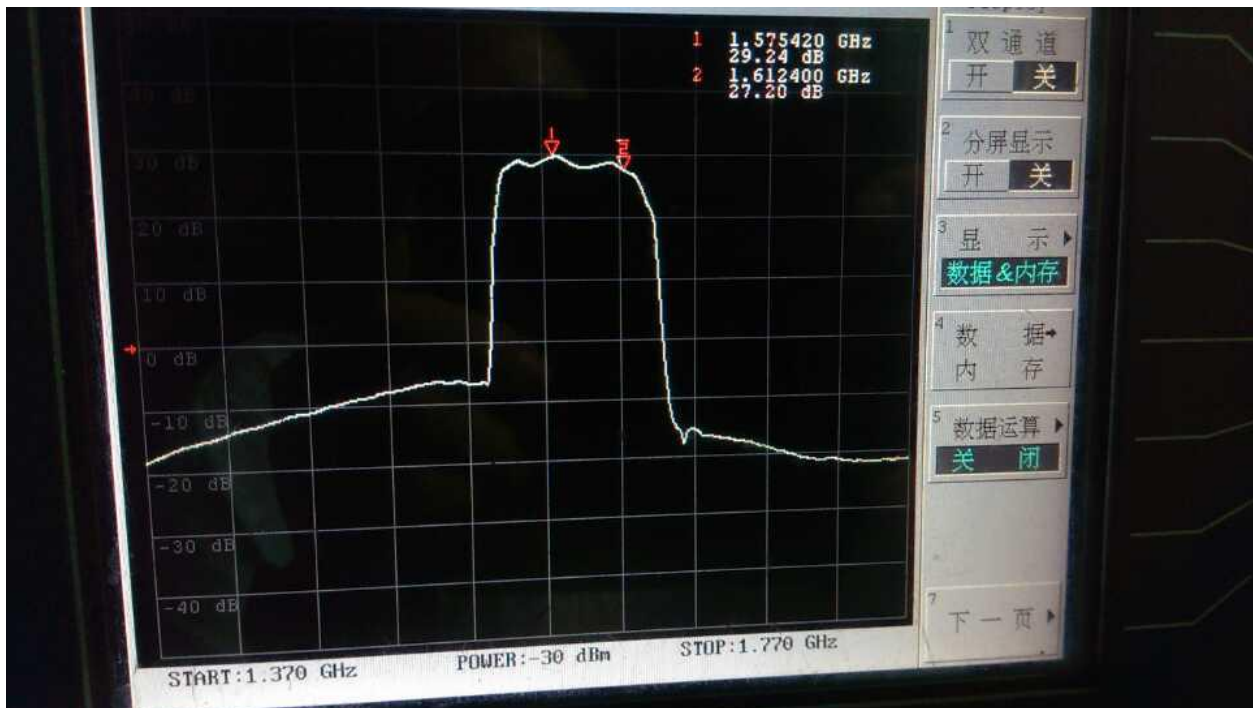
Testing 1



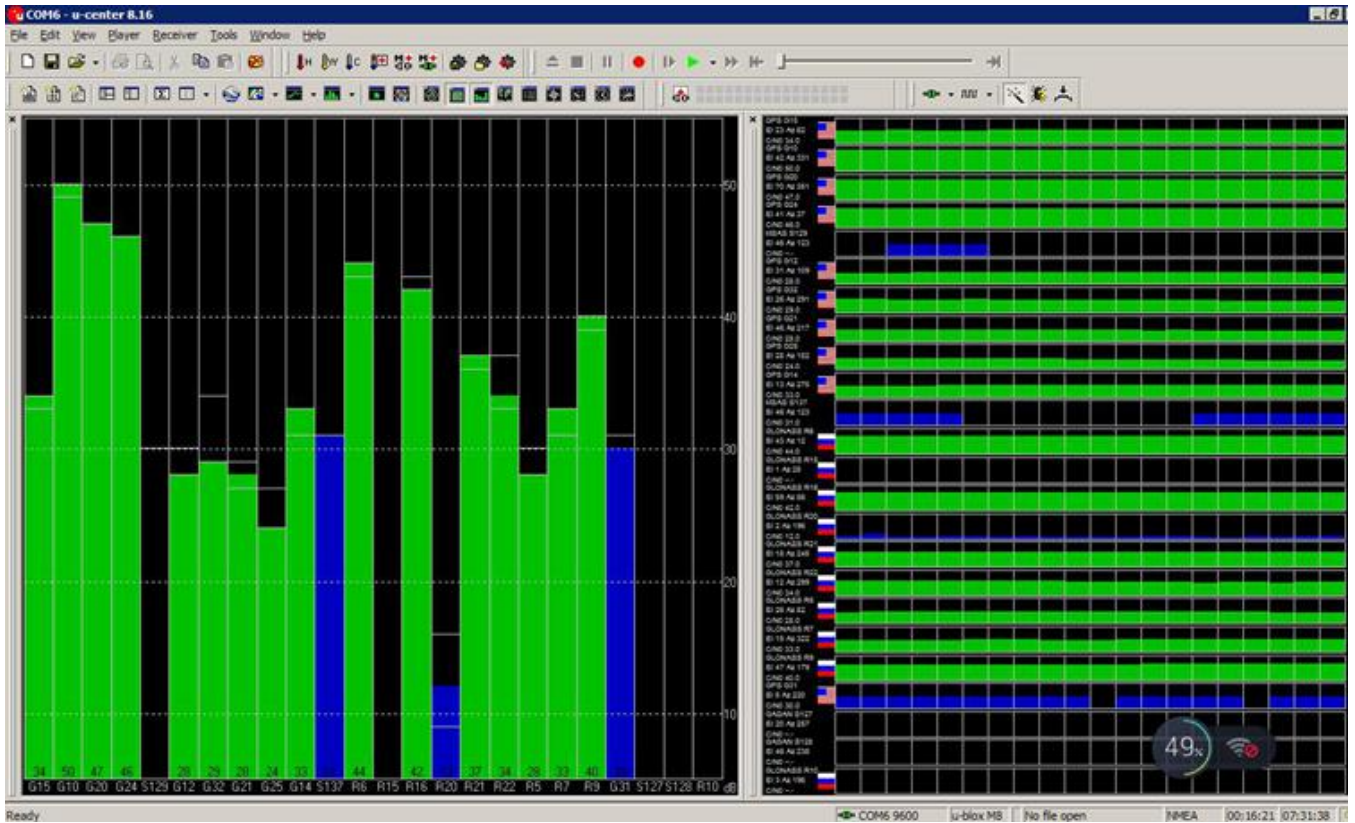
Testing 2: V.S.W.R



Testing 3: Gain



Testing 4:



Testing equipments



频谱分析仪 ↵



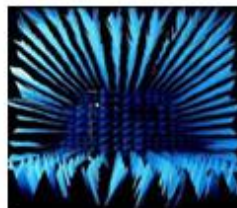
GPS模拟信号源 ↵



网络分析仪 ↵

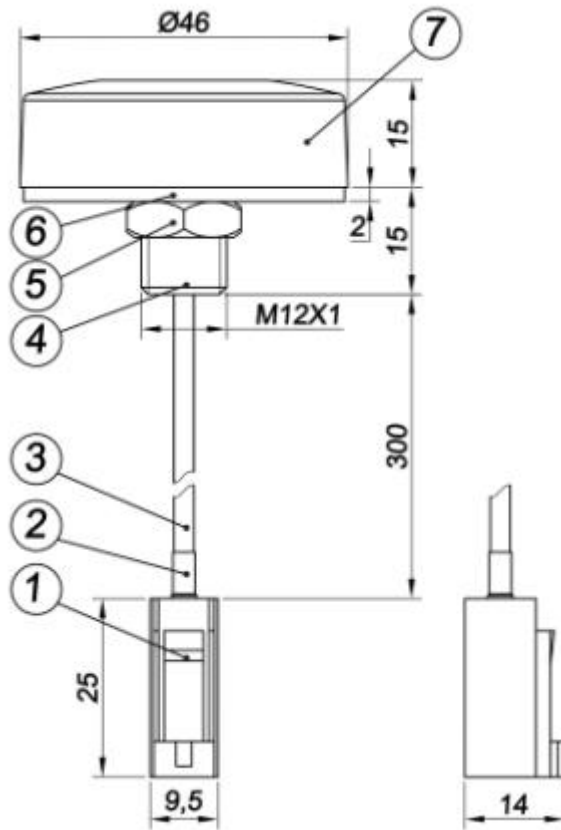


噪音测试仪 ↵



电波暗箱 ↵

Product Outline and drawing



PS

