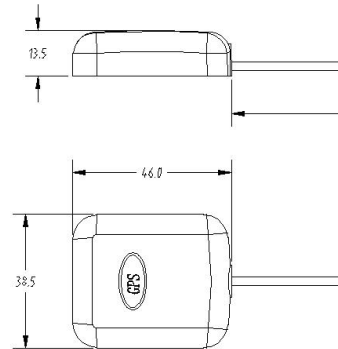




GLOBAL EAST ASIA TECHNOLOGY CO.,LIMITED
<http://www.global-antenna.com>



GPS Antenna	
GL-DY006F	
Electrical Index	
Frequency-MHz	1575.42±1
VSWR	<1.5
Normal Impedance-Ω	50
Polarization	RHCP,
Axial Ratio	3dB(max)
LNA Gain	28±2dB
Noise Figure	<1.5
Supply Voltage	3-5V DC
Current Consumption	5-15mA
Mechanical Index	
Cable Length	RG174,3m
Connector	Fakra C blue female
Antenna Dimension-mm	46*38.5*13.5
Installation Way	Magnet or Adhesive
Ingress Protection	IP65~IP67(exclude cable outlet)
Vibration	10 to 55Hz with 1.5mm amplitude 2hours
Environmentally Friendly	ROHS Compliant
Temperature-℃	-40~+85
Humidity-%	5~95