

GLOBAL EAST ASIA TECHNOLOGY CO.,LTD

Product name: 0.9m 2.4GHz Grid Parabolic Antenna

Product model: GL-DY2225V24

Applications:

2.4GHz, WLAN, WIFI Wireless System

Point-to-point, point-to-multipoint systems

Features:

High gain, high front-to-back ratio

Anti-aging Surface Coat

High accuracy square grid parabolic dish

Electrical Specifications	
Frequency Range-MHz	2200-2500
Polarization	Vertical
VSWR	≤1.5
Gain-dBi	24
Horizontal beam width	7°
Vertical beam width	11°
Front-to-back ratio-dB	≥25
Input Impedance-Ω	50
Maximum input power-W	50
Lightning protection	DC Ground
Mechanical Specifications	
Input connector type	N female
Dimensions-m	0.9×0.6
Antenna weight-kg	2.5
Reflector material	Aluminum
Reflecting surface color	Gray
Mechanical tilt	0~20°
Operating temperature	-40°C to + 65 °C
Rated Wind Velocity-m/s	60
Mounting hardware - mm	Φ40~φ50

Add: Room 826,4F, Block B,BLDG 18, University Science Park(East), Zhengzhou
City,P.R.Henan,China Zip Code: 450051

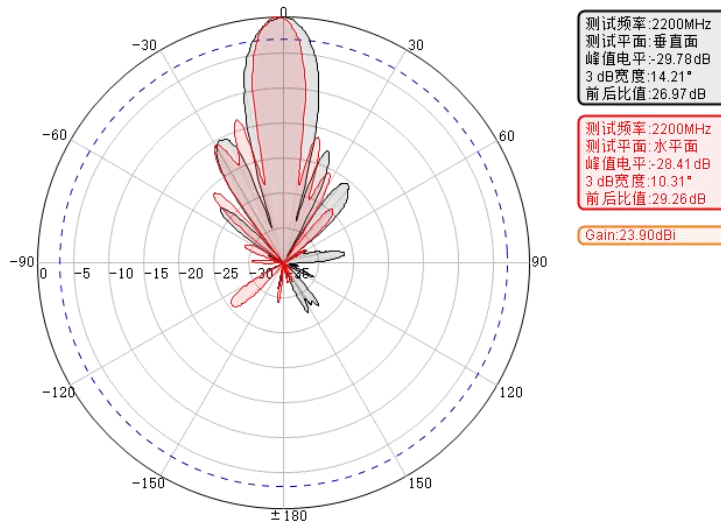
1

Tel: 86-371-60911368

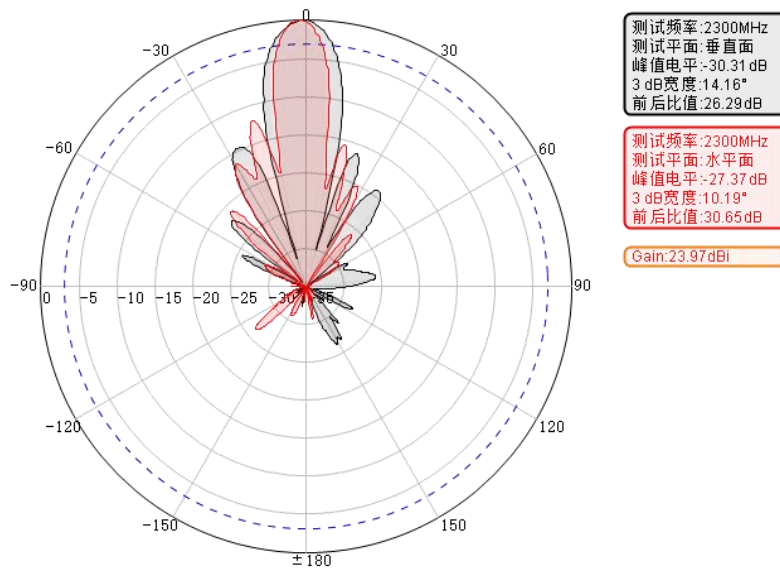
www.global-antenna.com

info@global-antenna.com

Radiation Pattern

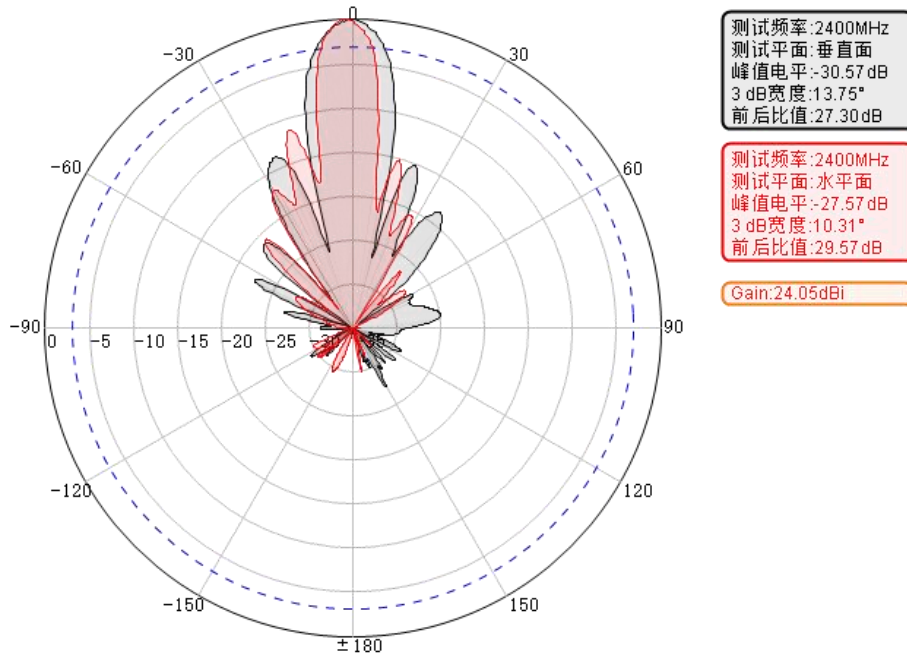


2200MHz

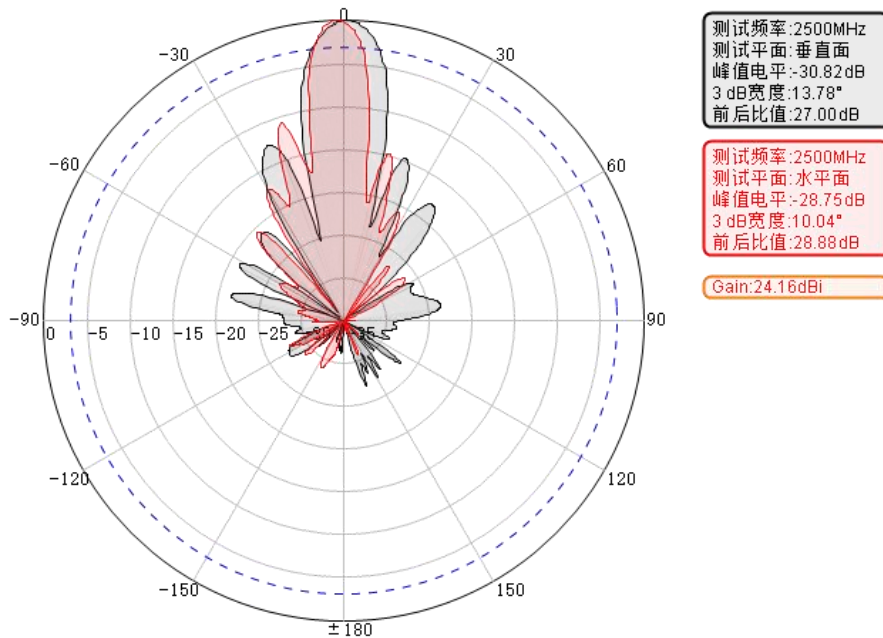


2300MHz

Add: Room 826,4F, Block B,BLDG 18, University Science Park(East), Zhengzhou
City,P.R.Henan,China Zip Code: 450051



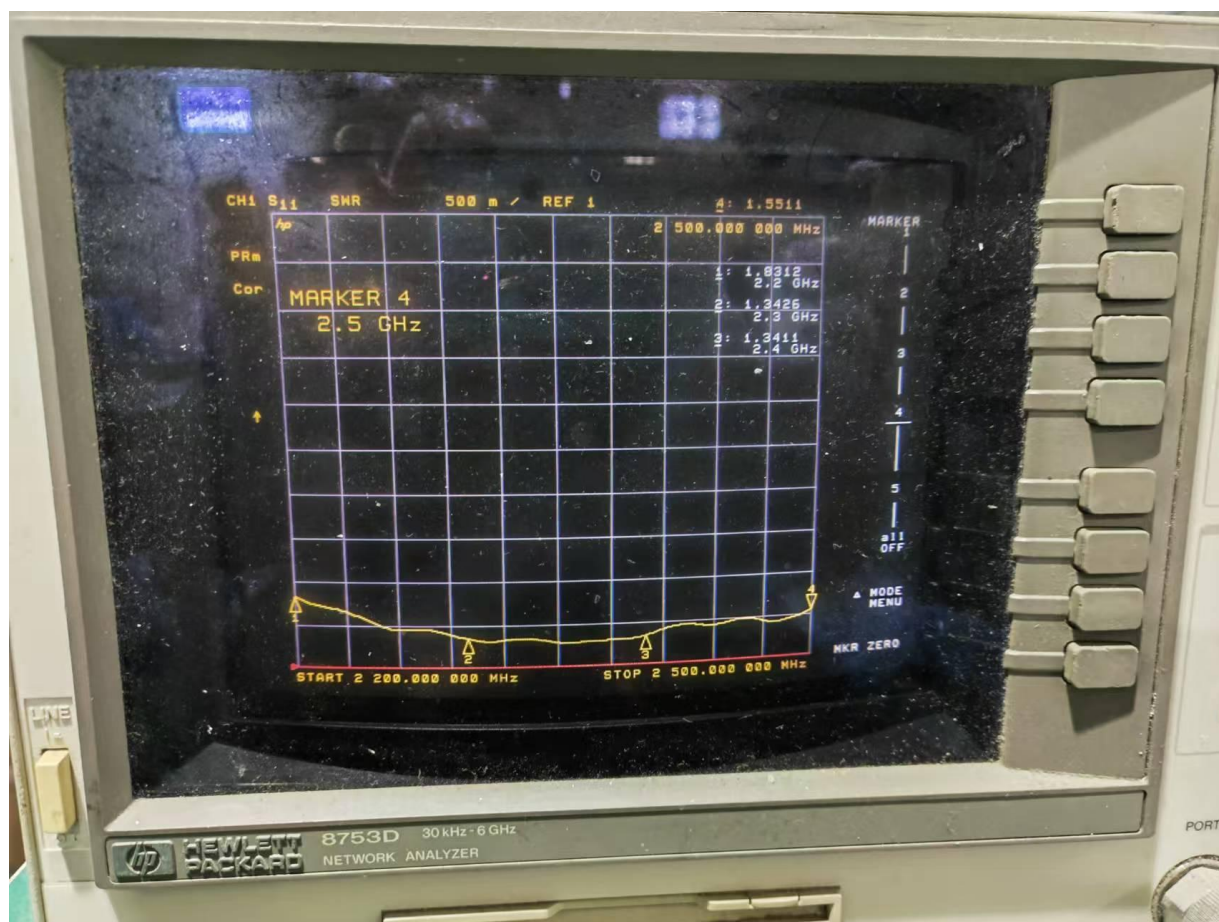
2400MHz



2500MHz

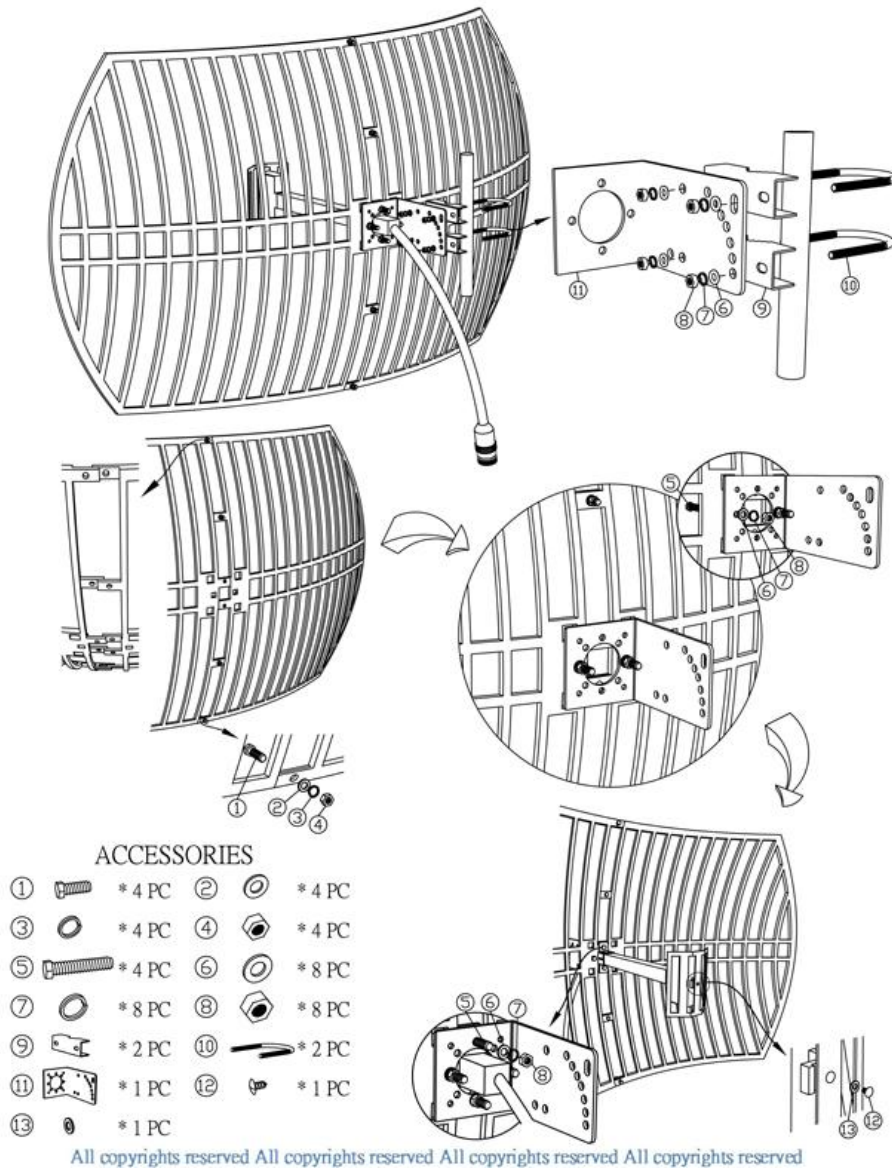
Add: Room 826,4F, Block B,BLDG 18, University Science Park(East), Zhengzhou
City,P.R.Henan,China Zip Code: 450051

VSWR



Add: Room 826,4F, Block B,BLDG 18, University Science Park(East), Zhengzhou
City,P.R.Henan,China Zip Code: 450051

Antenna Mounting Direction



Add: Room 826,4F, Block B,BLDG 18, University Science Park(East), Zhengzhou
City,P.R.Henan,China Zip Code: 450051