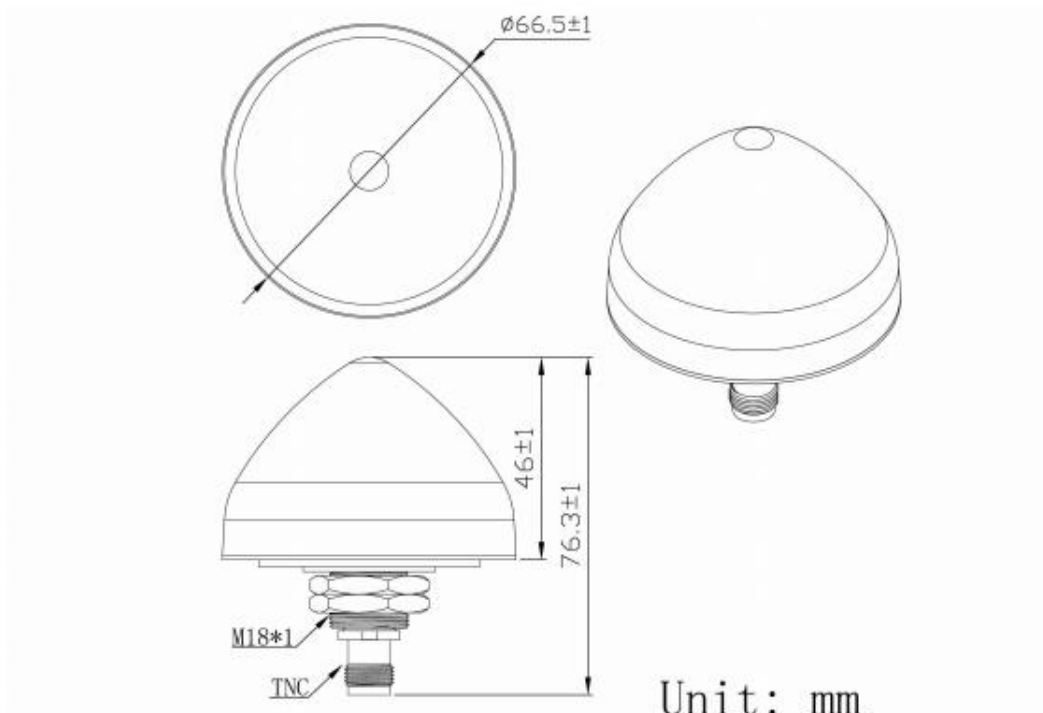
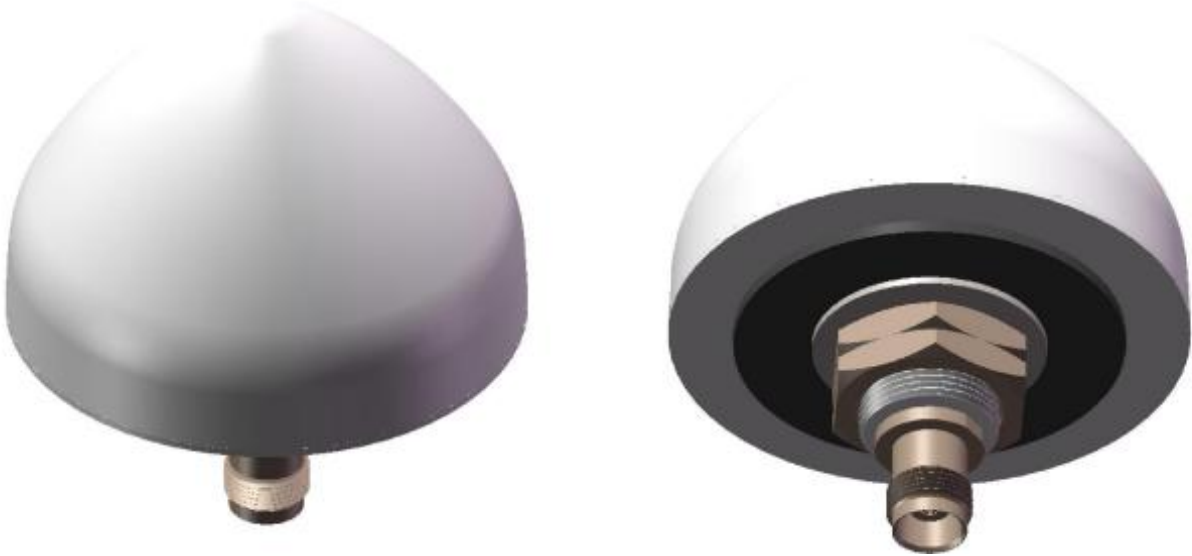




GL-DY225 GPSGLONASS Antenna





GLOBAL EAST ASIA TECHNOLOGY CO.,LIMITED
www.global-antenna.com

Technical Index

Item		Specifications
Antenna	Center Frequency	1575.42±3MHz/1602-1610
	Band Width	CF±5MHz
	Polarization	RHCP
	Gain	5dBic@100mm Ground Plane (Zenith)
	V.S.W.R	< 1.5
	Impedance	50Ω
	Axial Ratio	4dB@90°,6dB@20°
	Dimension	25*25*6mm
LNA	Gain	40dB typ.
	Filter	2 Filters Pre filter Median filter
	Noise Figure	< 2.5dB
	Ex-band Attenuation	50dB@CF±50MHz
	Supply Voltage	2.7~10V DC
	Current Consumption	< 25mA
	V.S.W.R	< 1.5
Mechanical	Connector	TNC
	Radome Material	ABS
	Mounting Method	Screw
Environmental	Operating Temperature	-40℃~+85℃
	Relative Humidity	Up to 95%
	Ingress Protection	IP67
	Vibration	3 axis,10 to 200Hz,sweep 15min,3G
	Shock	Vertical axis:50G,other axes:30G



GLOBAL EAST ASIA TECHNOLOGY CO.,LIMITED
www.global-antenna.com

	Environmentally Friendly	ROHS Compliant
	ESD Protection	15KV air discharge